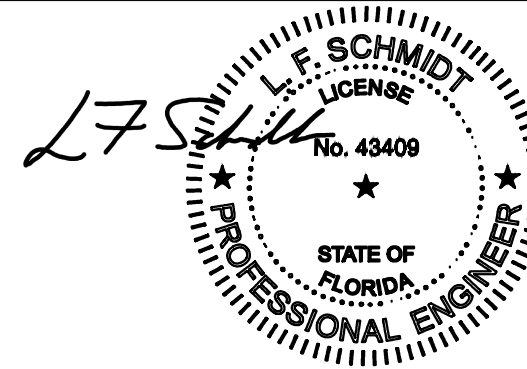




215 EAST ROOSEVELT AVE.
ZEELAND, MI 49464



This item has been digitally signed and sealed by L. F. Schmidt, P.E. on the date adjacent to the seal. Printed copies of this document are not considered signed and sealed and the signature must be verified on any electronic copies.

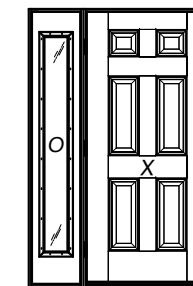
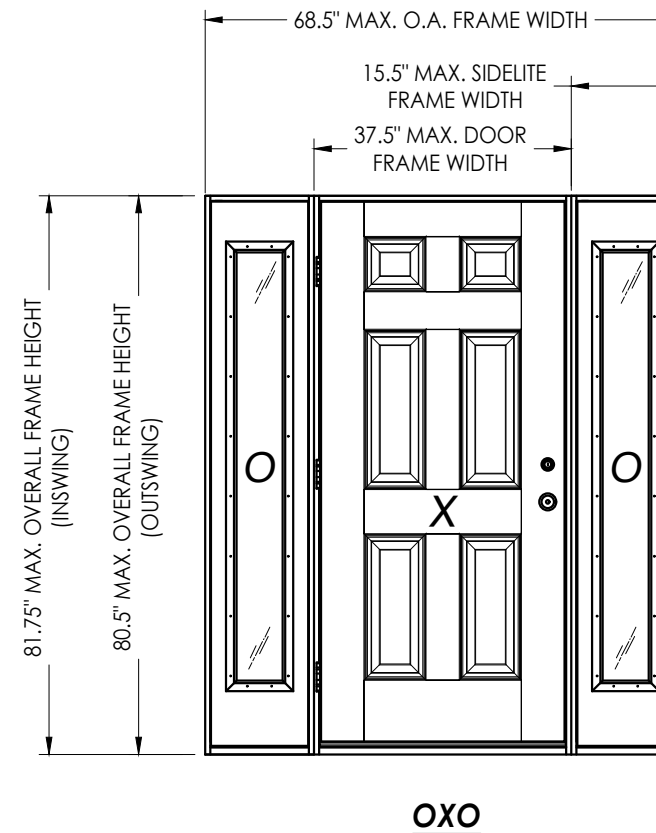
THIS PRODUCT APPROVAL IS VALID ONLY FOR THE STATE OF FLORIDA

OPAQUE FIBERGLASS DOOR SINGLE w/ SIDELITE(S)

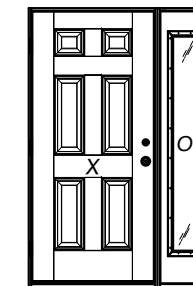
INSWING/OUTSWING "NON-IMPACT"

GENERAL NOTES

1. This product has been evaluated and is in compliance with the 8th Edition (2023) Florida Building Code (FBC) structural requirements excluding the "High Velocity Hurricane Zone" (HVHZ).
2. Product anchors shall be as listed and spaced as shown on details. Anchor embedment to base material shall be beyond wall dressing or stucco.
3. When used in areas requiring wind borne debris protection this product is required to be protected with an impact resistant covering that complies with FBC Sections 1609.1.2 & R301.2.1.2 of the FBC.
4. For 2x stud framing construction, anchoring of these units shall be the same as that shown for 2x buck masonry construction.
5. Site conditions that deviate from the details of this drawing require further engineering analysis by a licensed engineer or registered architect.



OX, XO



XO, OX

TABLE OF CONTENTS			
SHEET #	DESCRIPTION	SHEET #	
1	Typical Elevations, Design Pressures & General Notes	7	Horizontal & Vertical Cross Sections (1X Buck)
2	Door & Sidelite Panel Details	8	Horizontal & Vertical Cross Sections (Direct to Masonry)
3	Lite Frame Glazing Details	9	Vertical Cross Sections (Thresholds)
4	Elevations	10	Buck Anchoring
5	Horizontal Cross Sections	11	Frame Anchoring & Hardware Details
6	Horizontal & Vertical Cross Sections (2X Buck)	12	Bill of Materials & Components

CONFIGURATION	MAX. FRAME DIMENSION	JAMB MATERIAL	DESIGN PRESSURE (PSF) INSWING		DESIGN PRESSURE (PSF) OUTSWING	
			POSITIVE	NEGATIVE	POSITIVE	NEGATIVE
OX, XO	53.0" x 81.75"	WOOD	+50.0	-60.0	+50.0	-50.0
OXO	68.5" x 81.75"		+50.0	-60.0	+50.0	-50.0
OX, XO	53.0" x 81.75"	COMPOSITE	+55.0	-60.0	+55.0	-55.0
OXO	68.5" x 81.75"		+55.0	-60.0	+55.0	-55.0

Documents Prepared By:
Lyndon F. Schmidt
P.E. No. 43409

RW
BUILDING CONSULTANTS, INC.
P.O. Box 230, Vairico, FL 33595
Phone No.: 813.659.9197
FBPE Registry No. 9813

PRODUCT: ODL FIBERGLASS DOOR
PART OR ASSEMBLY: TYPICAL ELEVATION, DESIGN PRESSURES & GENERAL NOTES

NO.	DATE	BY	REVISIONS

DATE: 2/15/24

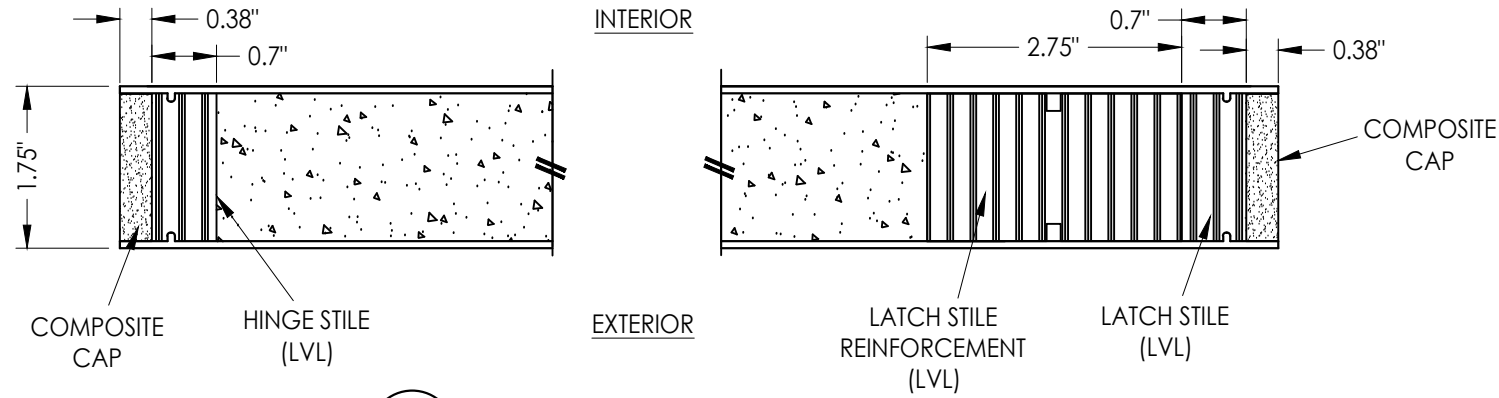
SCALE: N.T.S.

DWG. BY: LFS

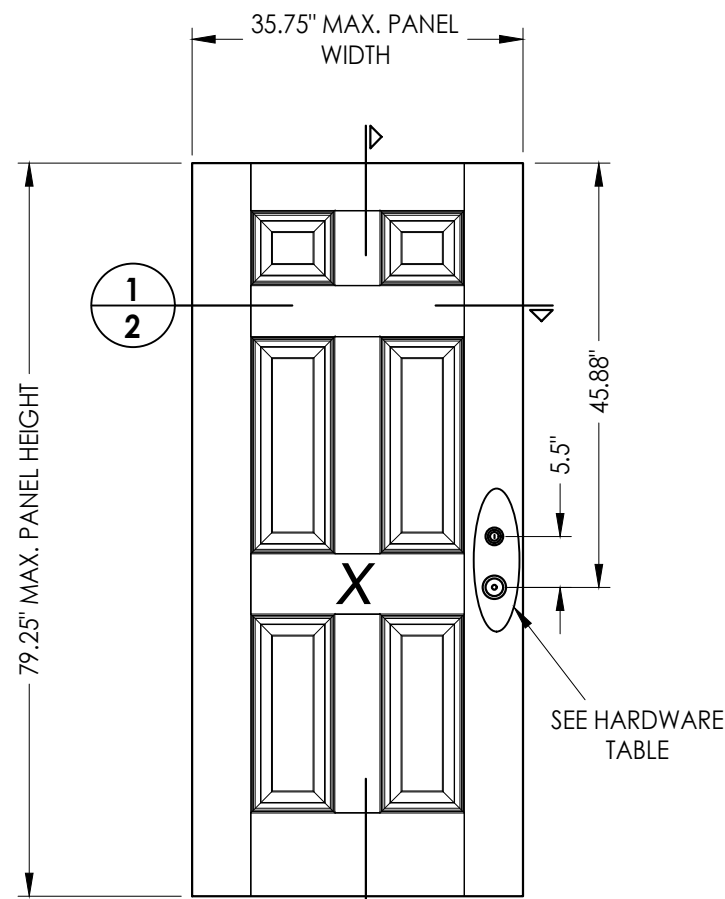
CHK. BY: RW

DRAWING NO.: FL-46116.2

SHEET 1 OF 12



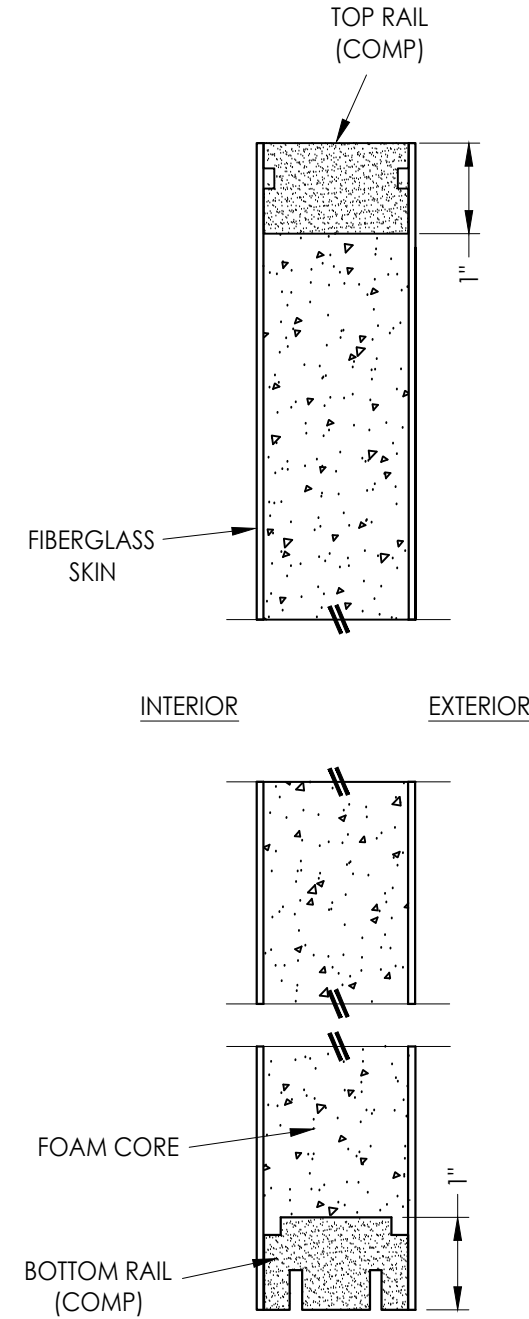
1
2 HORIZONTAL CROSS SECTION



40 FIBERGLASS DOOR PANEL
ODL

FIBERGLASS SKIN: 0.070" MIN. THK.
FOAM CORE: POLYURETHANE (1.9 PCF MIN.)

HARDWARE CHART	
MANUFACTURER	MODEL
KWIKSET	KNOB: SIGNATURE SERIES
	DEADBOLT: SIGNATURE SERIES (980)
SCHLAGE	KNOB: F SERIES
	DEADBOLT: B60 SERIES



2
2 VERTICAL CROSS SECTION

Documents Prepared By:
Lyndon F. Schmidt
P.E. No. 43409

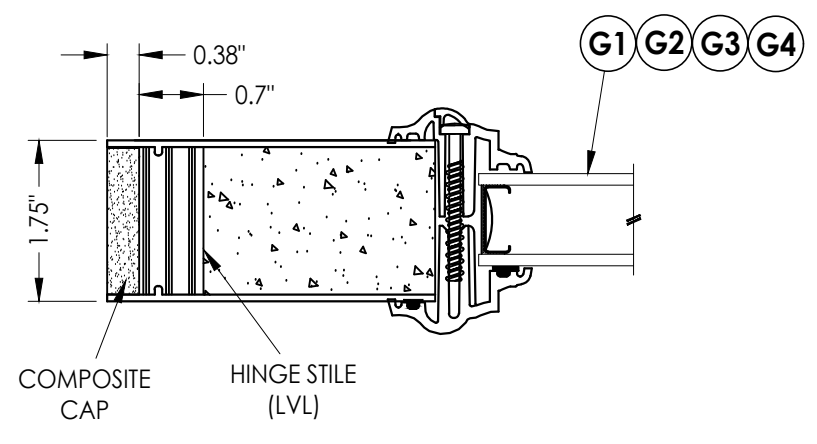
RW BUILDING CONSULTANTS, INC.
P.O. Box 230, Valrico, FL 33595
Phone No.: 813.659.9197
FBPE Registry No. 9813

PRODUCT: ODL
FIBERGLASS DOOR

PART OR ASSEMBLY:
DOOR & SIDELITE
PANEL DETAILS

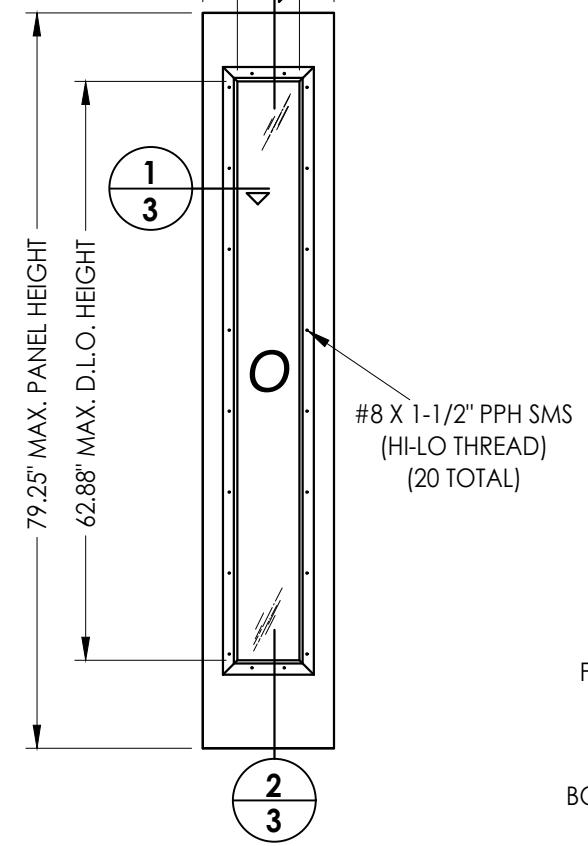
NO.	DATE	BY

DATE: 2/15/24
SCALE: N.T.S.
DWG. BY: LFS
CHK. BY: RW
DRAWING NO.:
FL-46116.2
SHEET 2 OF 12



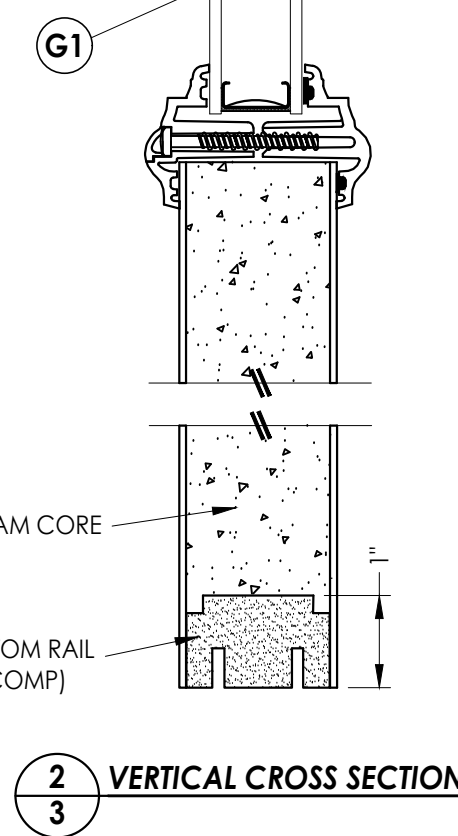
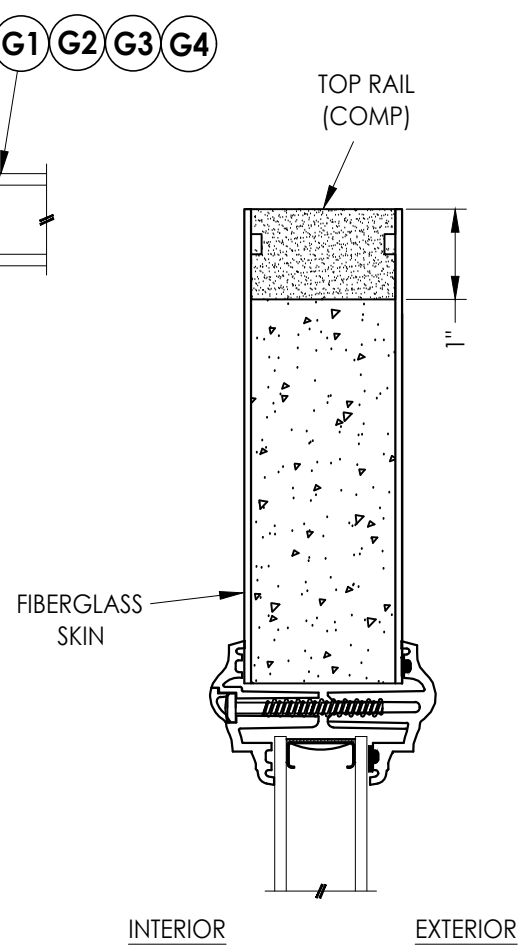
1
3 **HORIZONTAL CROSS SECTION**

13.88" MAX. PANEL WIDTH
6.75" MAX. D.L.O. WIDTH

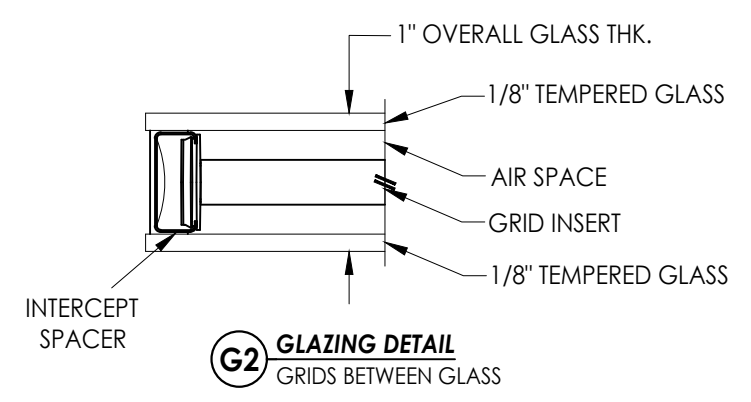


50 **FIBERGLASS SIDELITE PANEL**
ODL

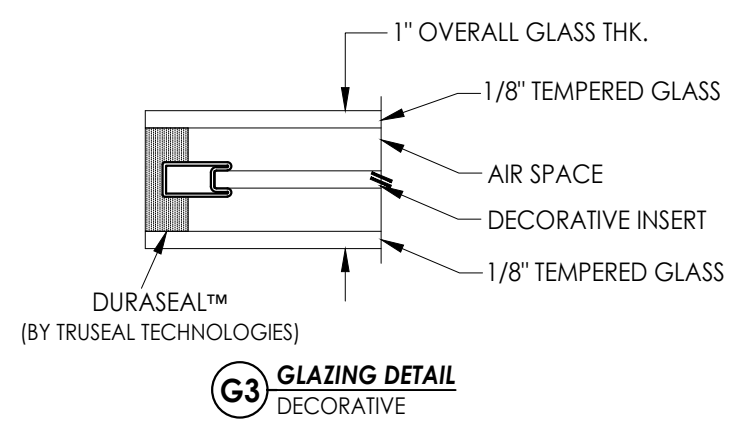
FIBERGLASS SKIN: 0.070" MIN. THK.
FOAM CORE: POLYURETHANE (1.9 PCF MIN.)



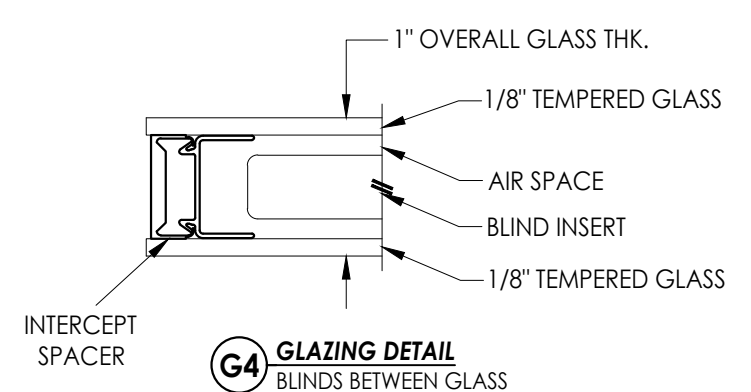
2
3 **VERTICAL CROSS SECTION**



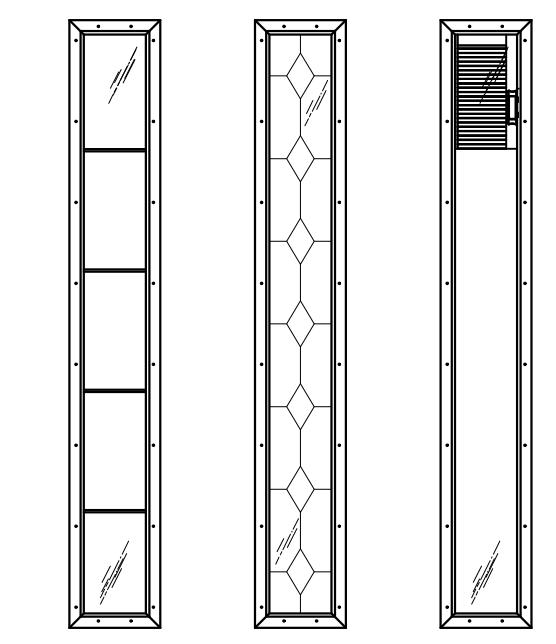
G2 **GLAZING DETAIL**
GRIDS BETWEEN GLASS



G3 **GLAZING DETAIL**
DECORATIVE

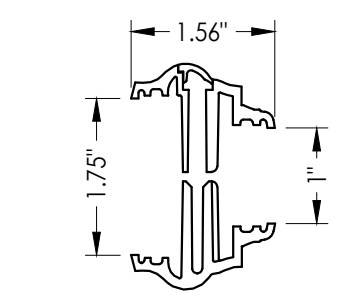


G4 **GLAZING DETAIL**
BLINDS BETWEEN GLASS

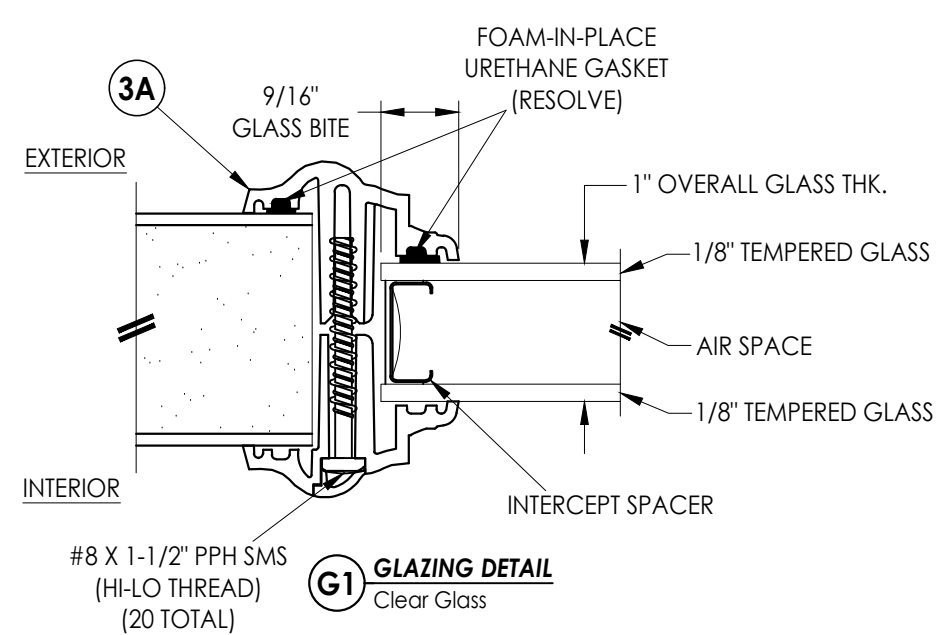


GRIDS BETWEEN GLASS DECORATIVE BLINDS BETWEEN GLASS

ALTERNATE GLAZING DETAILS



3A **ODL "EVOLVE" LITE FRAME**
HP POLYPROPYLENE



G1 **GLAZING DETAIL**
Clear Glass

Documents Prepared By:
Lyndon F. Schmidt
P.E. No. 43409

RW BUILDING CONSULTANTS, INC.
P.O. Box 230, Valrico, FL 33595
Phone No.: 813.659.9197
FBPE Registry No. 9813

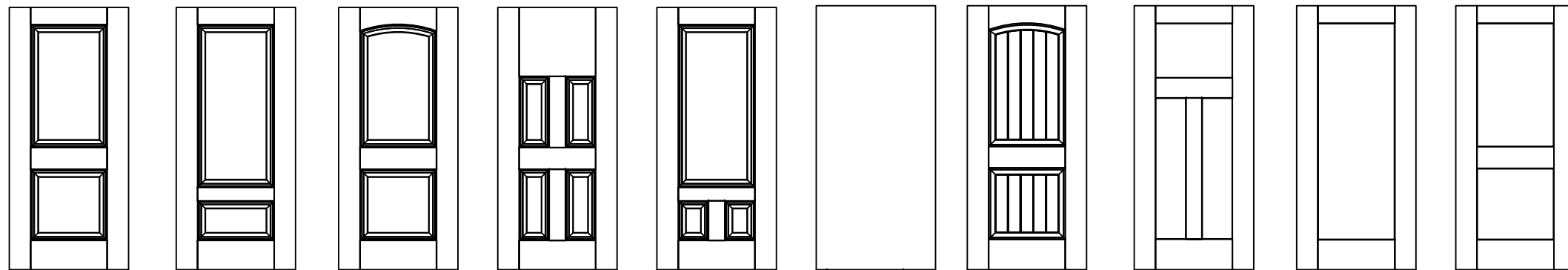
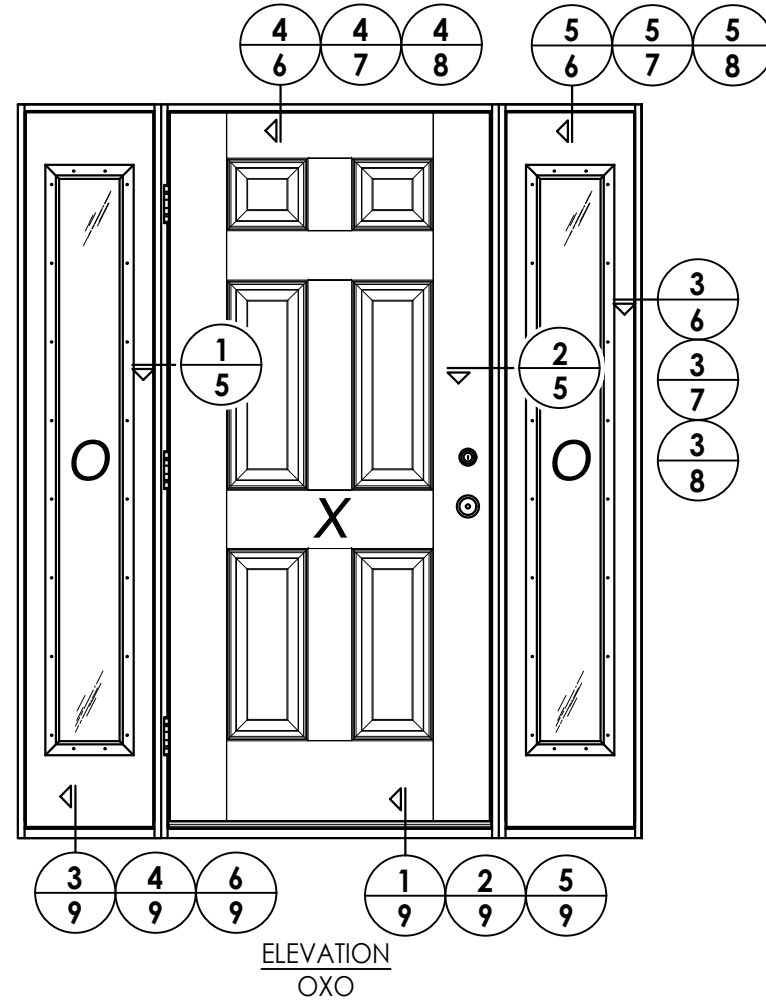
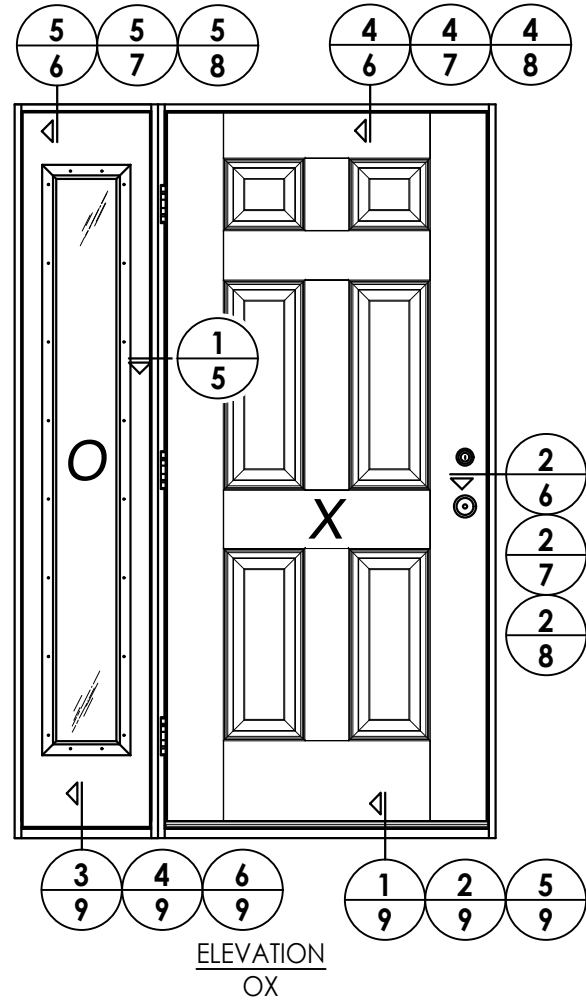
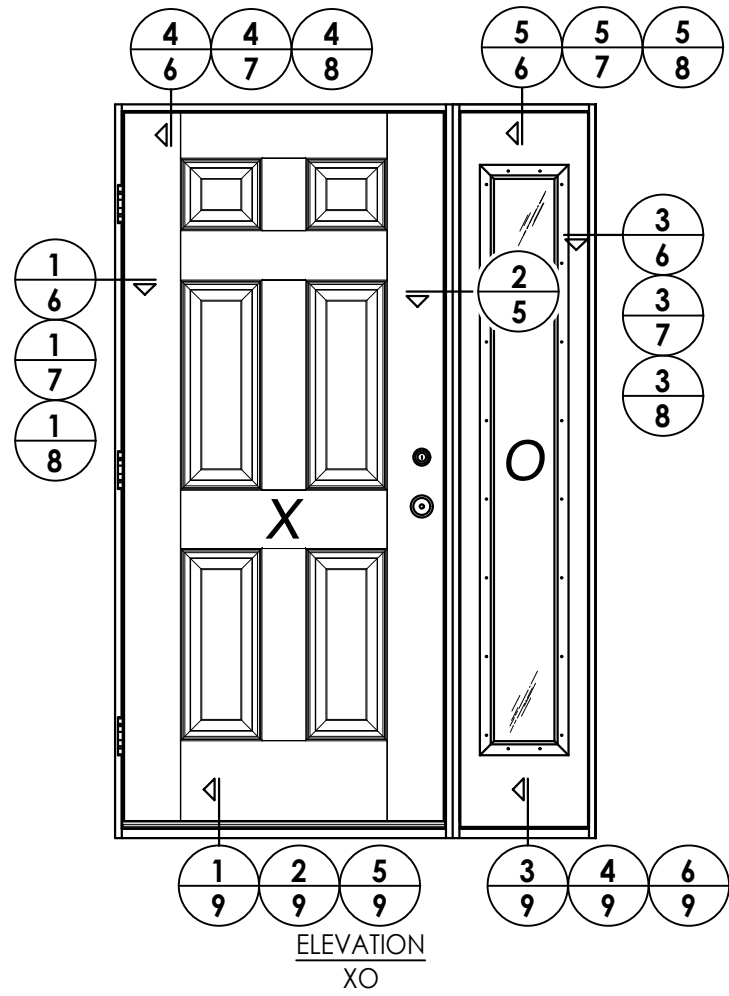
PRODUCT:	ODL FIBERGLASS DOOR
PART OR ASSEMBLY:	LITE FRAME GLAZING DETAILS

NO.	DATE	BY	REVISIONS

DATE:	2/15/24
SCALE:	N.T.S.
DWG. BY:	LFS
CHK. BY:	RW
DRAWING NO.:	FL-46116.2
SHEET	3 OF 12

© 2024 R.W. BUILDING CONSULTANTS INC.

Z:\2023 FBC Drawings\ODL, Inc\FL-46116\FL-46116.2.dwg



ALTERNATE DOOR PANELS

Documents Prepared By:
Lyndon F. Schmidt
P.E. No. 43409

RW BUILDING CONSULTANTS, INC.
P.O. Box 230, Valrico, FL 33595
Phone No.: 813.659.9197
FBPE Registry No. 9813

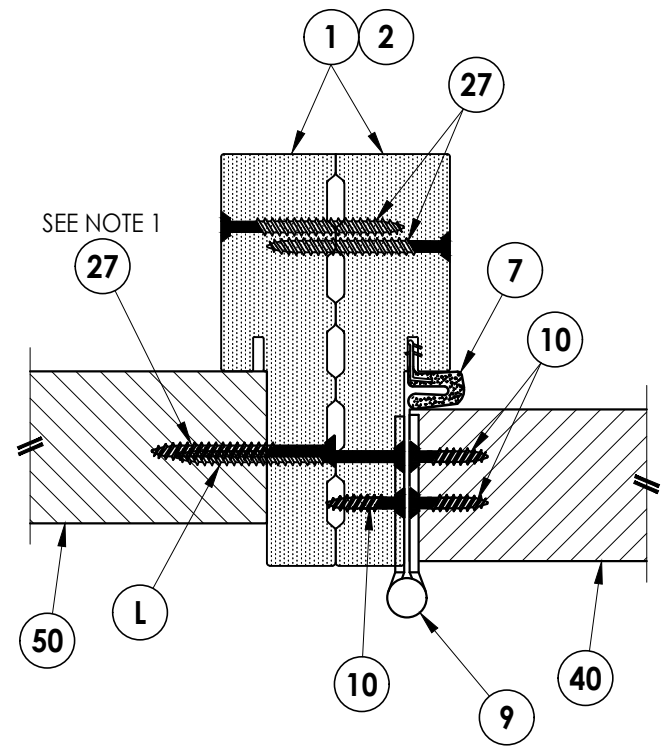
PRODUCT: OD
FIBERGLASS DOOR

PART OR ASSEMBLY:
ELEVATIONS

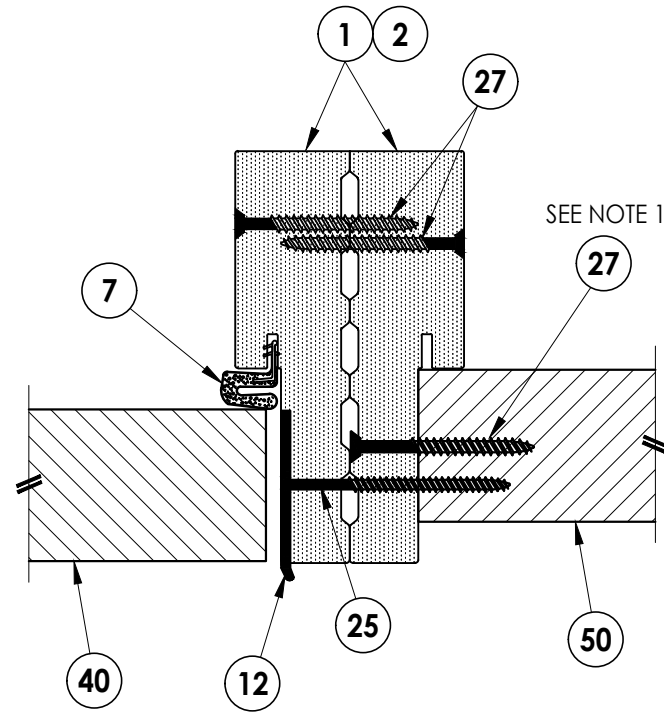
NO.	DATE	BY

REVISIONS

DATE: 2/15/24
SCALE: N.T.S.
DWG. BY: LFS
CHK. BY: RW
DRAWING NO.:
FL-46116.2
SHEET 4 OF 12



1 **HORIZONTAL CROSS SECTION**
5 Outswing Shown (Inswing Similar)



2 **HORIZONTAL CROSS SECTION**
5 Outswing Shown (Inswing Similar)

EXTERIOR

INTERIOR

Notes:

- Sidelite assembly screws located 6" from each end and 4 more screws equally spaced between (6 screws total per side jamb).

Documents Prepared By:
 Lyndon F. Schmidt
 P.E. No. 43409

RW BUILDING CONSULTANTS, INC.
 P.O. Box 230, Valrico, FL 33595
 Phone No.: 813.659.9197
 FBPE Registry No. 9813

PRODUCT: ODJ
 FIBERGLASS DOOR

PART OR ASSEMBLY:
 HORIZONTAL
 CROSS SECTIONS

NO.	DATE	BY	REVISIONS

DATE: 2/15/24

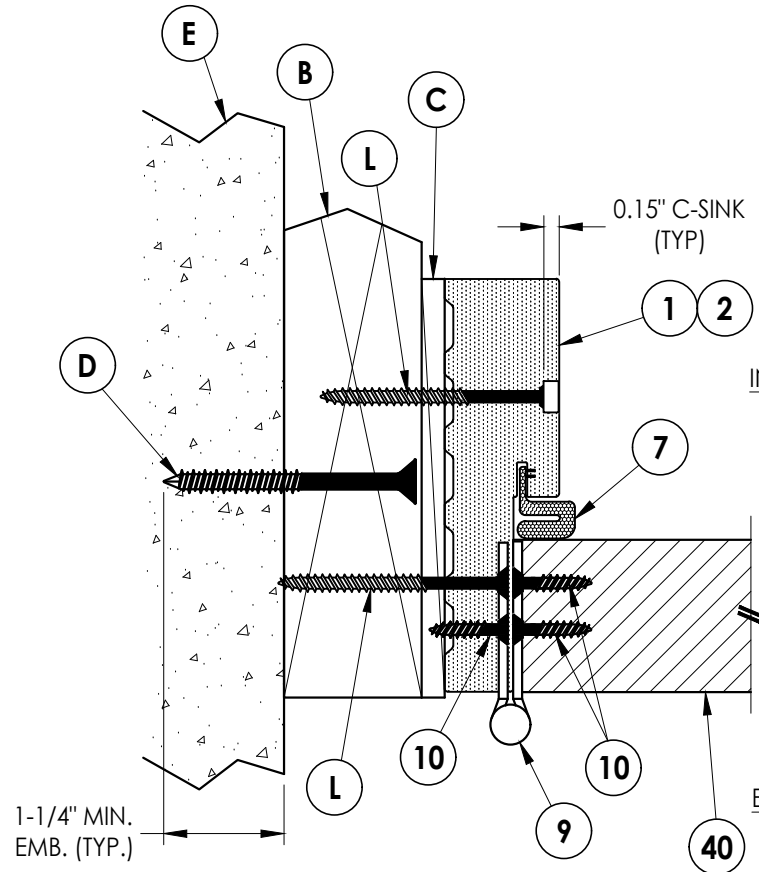
SCALE: N.T.S.

DWG. BY: LFS

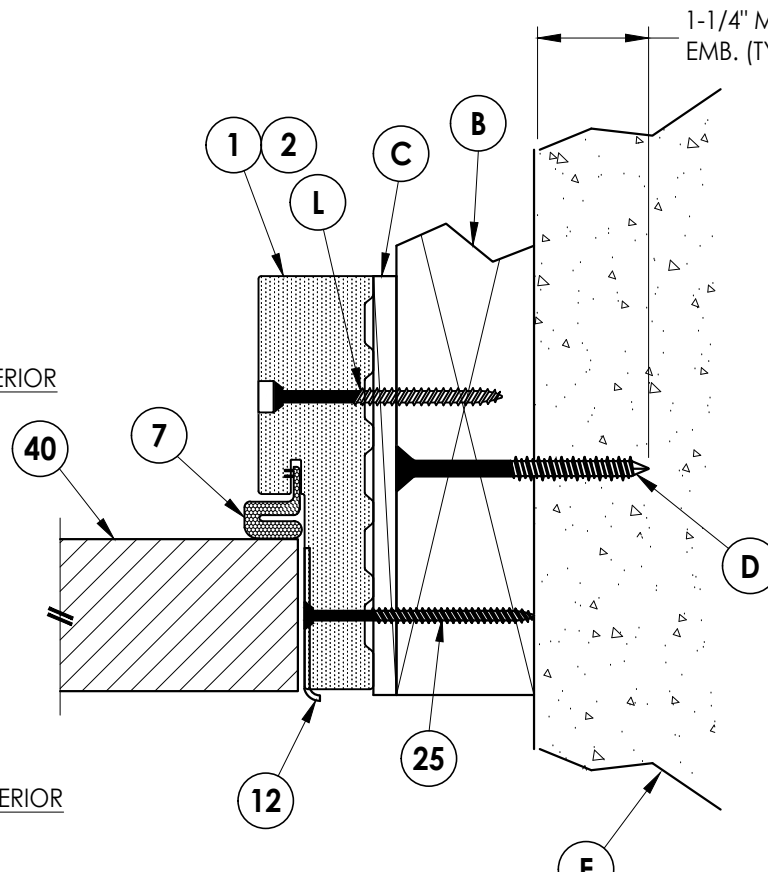
CHK. BY: RW

DRAWING NO.:
 FL-46116.2

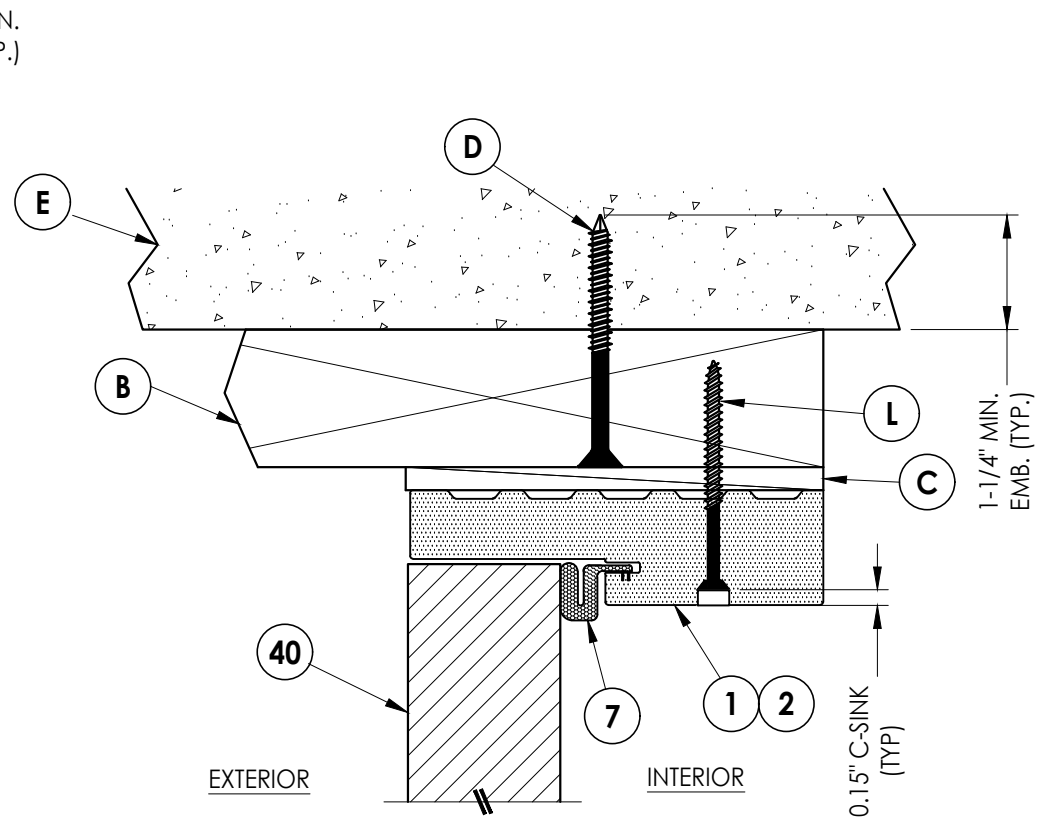
SHEET 5 OF 12



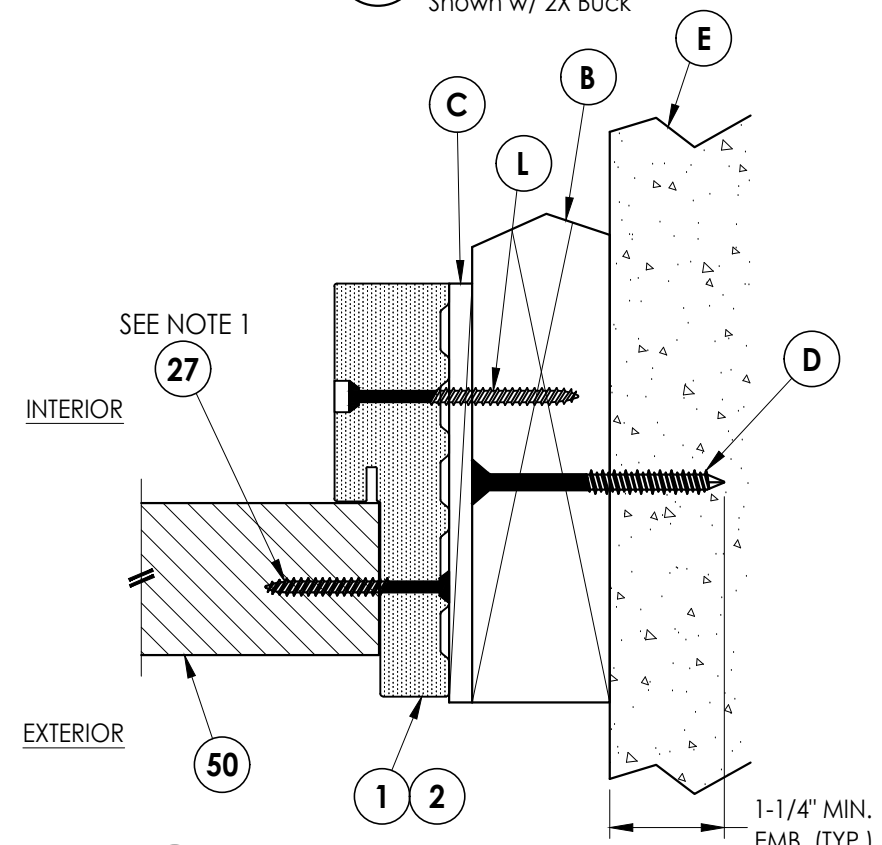
1 HORIZONTAL CROSS SECTION
6 Outswing Shown (Inswing Similar)
 Shown w/ 2X Buck



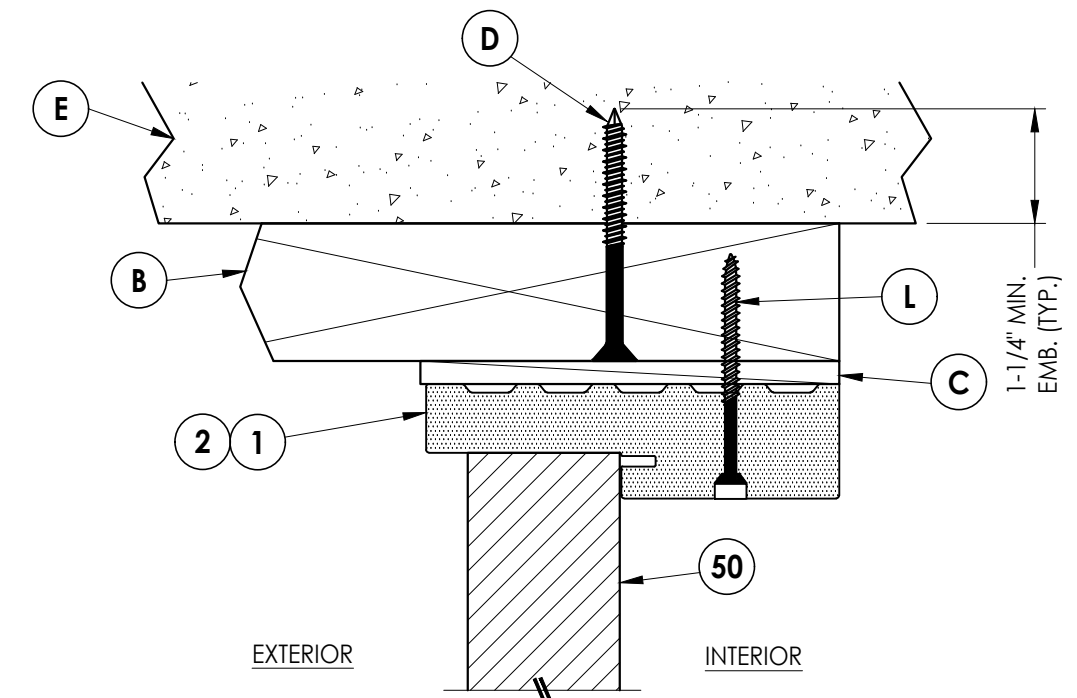
2 HORIZONTAL CROSS SECTION
6 Outswing Shown (Inswing Similar)
 Shown w/ 2X Buck



4 VERTICAL CROSS SECTION
6 Outswing Shown (Inswing Similar)
 Shown w/ 2X Buck



3 HORIZONTAL CROSS SECTION
6 Outswing Shown (Inswing Similar)
 Shown w/ 2X Buck



5 VERTICAL CROSS SECTION
6 Outswing Shown (Inswing Similar)
 Shown w/ 2X Buck

Note:
 1. Sidelite assembly screws located 6" from each end and 4 more screws equally spaced between (6 screws total per side jamb).

Documents Prepared By:
 Lyndon F. Schmidt
 P.E. No. 43409

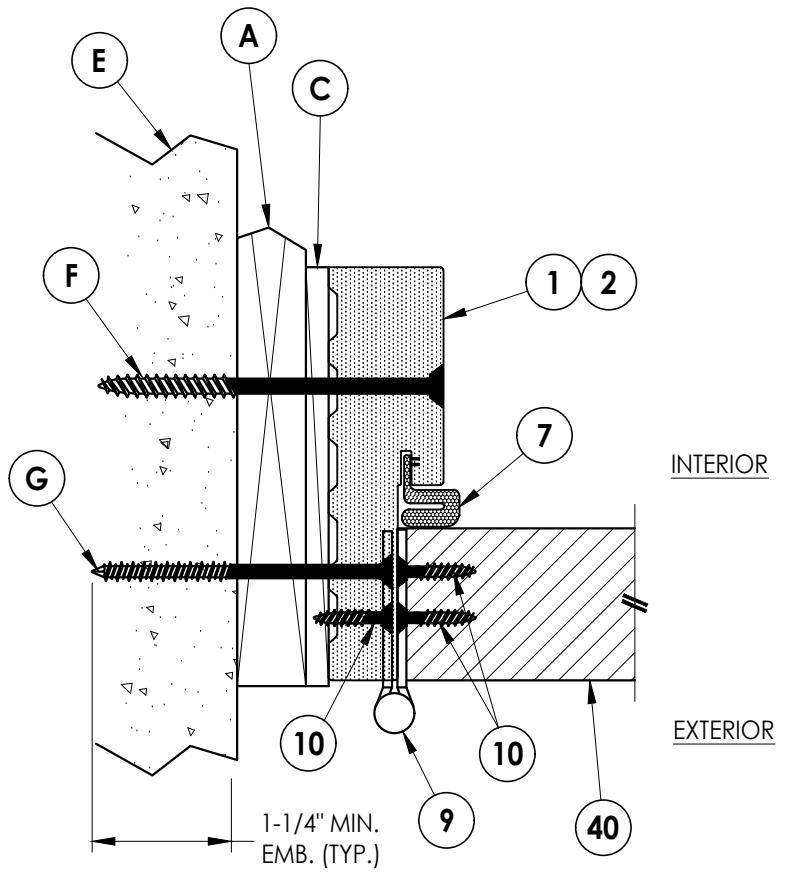
RW BUILDING CONSULTANTS, INC.
 P.O. Box 230, Valrico, FL 33595
 Phone No.: 813.659.9197
 FBPE Registry No. 9813

PRODUCT: OD L
 FIBERGLASS DOOR

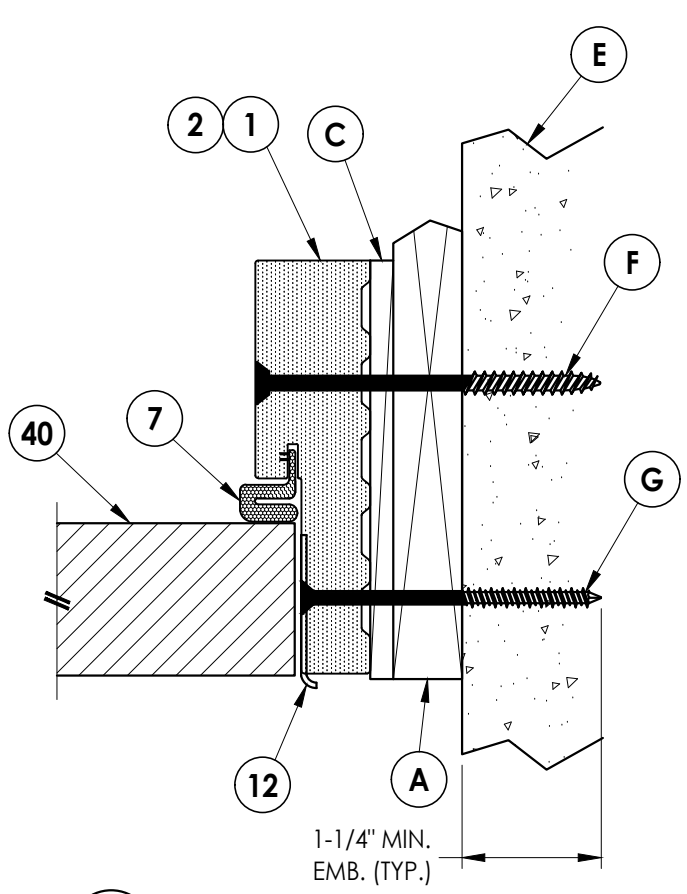
PART OR ASSEMBLY:
 HORIZONTAL & VERTICAL
 CROSS SECTIONS (2X BUCK)

NO.	DATE	BY	REVISIONS

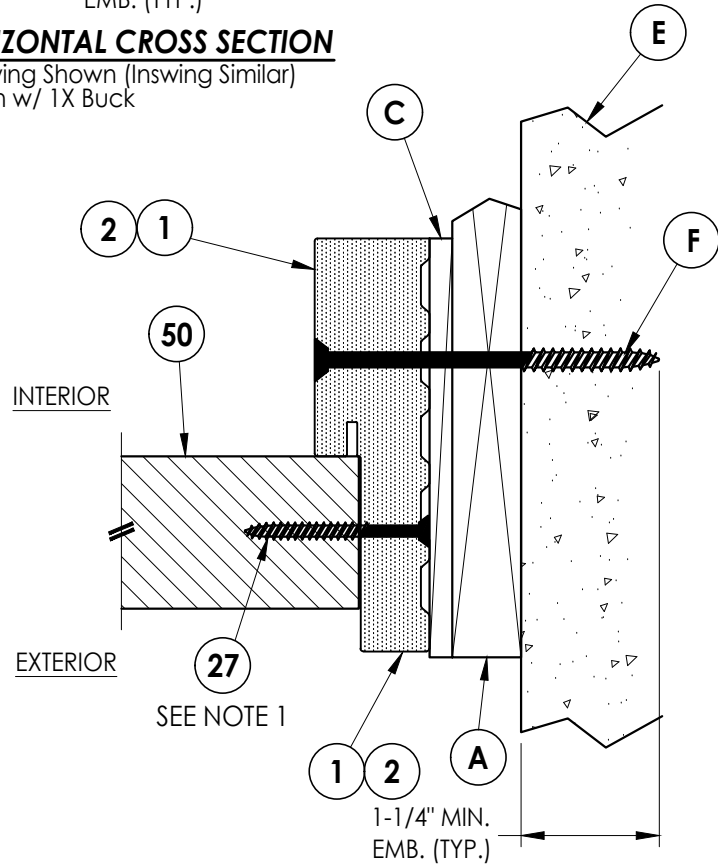
DATE: 2/15/24
 SCALE: N.T.S.
 DWG. BY: LFS
 CHK. BY: RW
 DRAWING NO.: FL-46116.2
 SHEET 6 OF 12



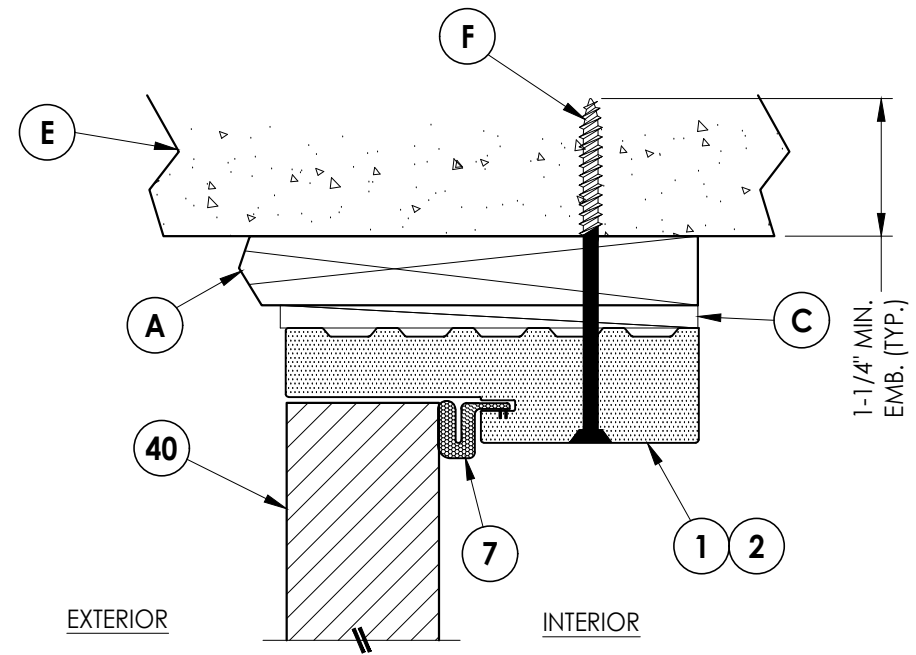
1 **HORIZONTAL CROSS SECTION**
7 Outswing Shown (Inswing Similar)
 Shown w/ 1X Buck



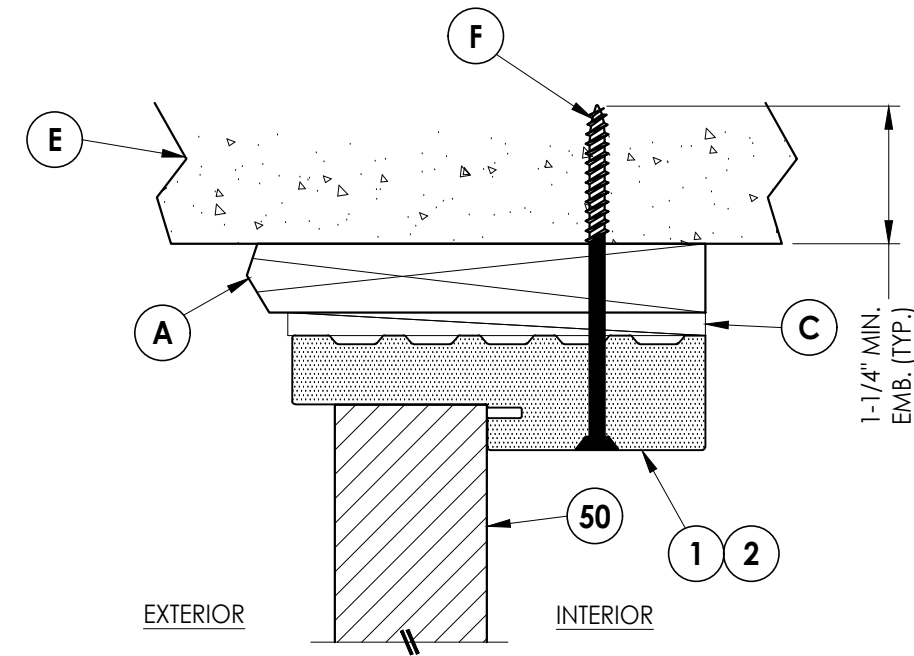
2 **HORIZONTAL CROSS SECTION**
7 Outswing Shown (Inswing Similar)
 Shown w/ 1X Buck



3 **HORIZONTAL CROSS SECTION**
7 Outswing Shown (Inswing Similar)
 Shown w/ 1X Buck



4 **VERTICAL CROSS SECTION**
7 Outswing Shown (Inswing Similar)
 Shown w/ 1X Buck



5 **VERTICAL CROSS SECTION**
7 Outswing Shown (Inswing Similar)
 Shown w/ 1X Buck

Note:
 1. Sidelite assembly screws located 6" from each end and 4 more screws equally spaced between (6 screws total per side jamb).

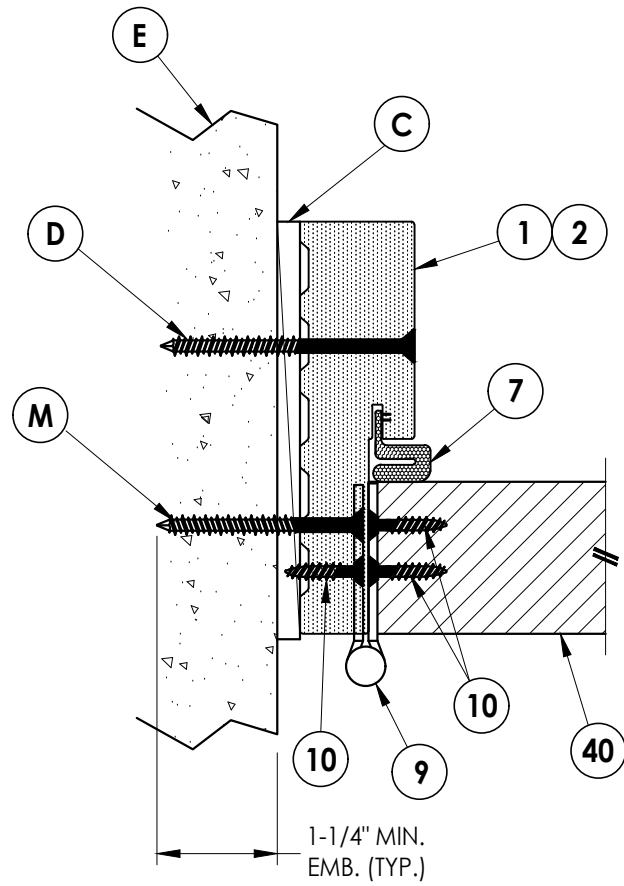
Documents Prepared By:
 Lyndon F. Schmidt
 P.E. No. 43409

RW BUILDING CONSULTANTS, INC.
 P.O. Box 230, Valrico, FL 33595
 Phone No.: 813.659.9197
 FBPE Registry No. 9813

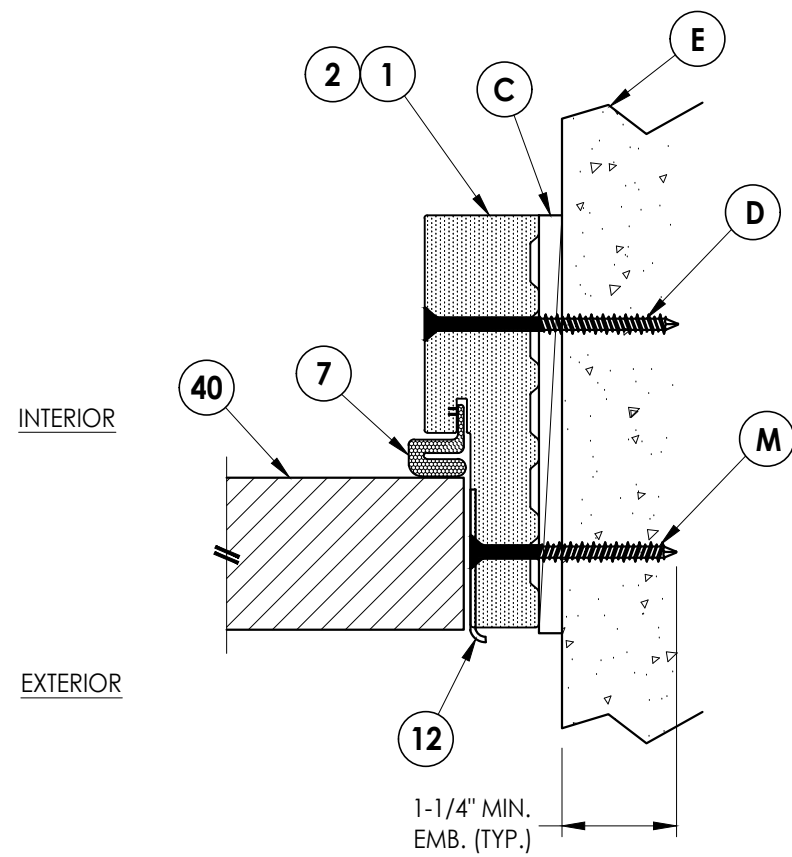
PRODUCT: OD L FIBERGLASS DOOR
 PART OR ASSEMBLY: HORIZONTAL & VERTICAL CROSS SECTIONS (1X BUCK)

NO.	DATE	BY	REVISIONS

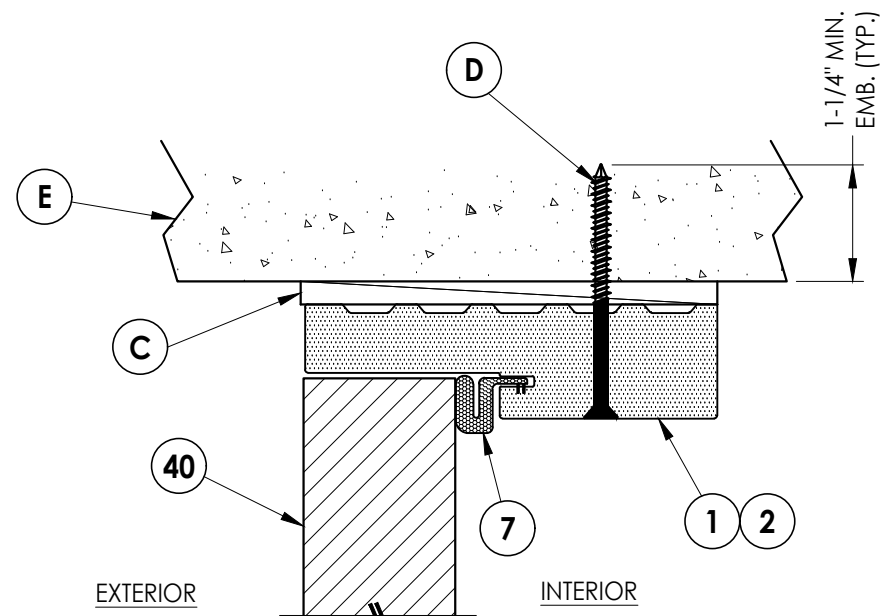
DATE: 2/15/24
 SCALE: N.T.S.
 DWG. BY: LFS
 CHK. BY: RW
 DRAWING NO.: FL-46116.2
 SHEET 7 OF 12



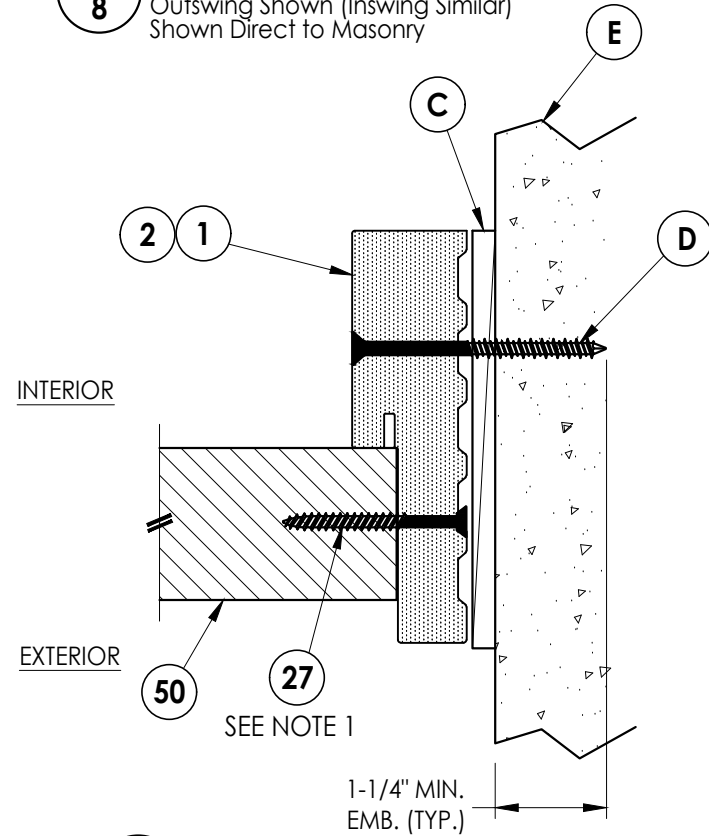
1 **HORIZONTAL CROSS SECTION**
8 Outswing Shown (Inswing Similar)
 Shown Direct to Masonry



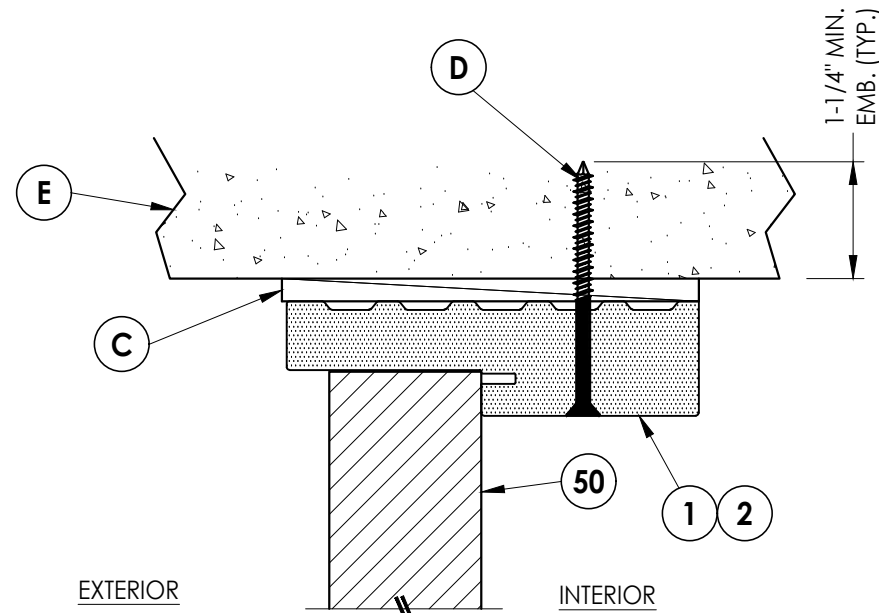
2 **HORIZONTAL CROSS SECTION**
8 Outswing Shown (Inswing Similar)
 Shown Direct to Masonry



4 **VERTICAL CROSS SECTION**
8 Outswing Shown (Inswing Similar)
 Shown Direct to Masonry



3 **HORIZONTAL CROSS SECTION**
8 Outswing Shown (Inswing Similar)
 Shown Direct to Masonry



5 **VERTICAL CROSS SECTION**
8 Outswing Shown (Inswing Similar)
 Shown Direct to Masonry

Note:

1. Sidelite assembly screws located 6" from each end and 4 more screws equally spaced between (6 screws total per side jamb).

Documents Prepared By:
 Lyndon F. Schmidt
 P.E. No. 43409

RW BUILDING CONSULTANTS, INC.
 P.O. Box 230, Valrico, FL 33595
 Phone No.: 813.659.9197
 FBPE Registry No. 9813

PRODUCT: ODL
 FIBERGLASS DOOR

PART OR ASSEMBLY:
 HORIZONTAL & VERTICAL CROSS
 SECTIONS (DIRECT TO MASONRY)

NO.	DATE	BY	REVISIONS

DATE: 2/15/24

SCALE: N.T.S.

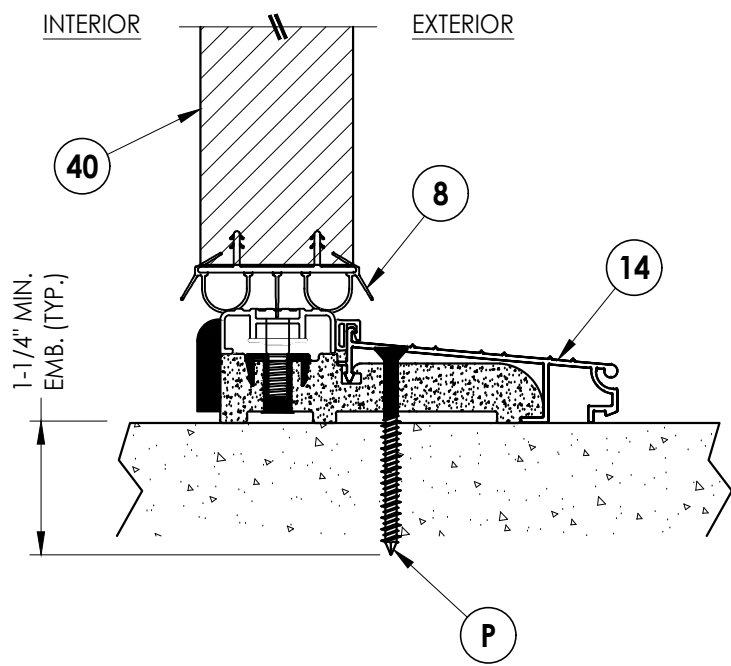
DWG. BY: LFS

CHK. BY: RW

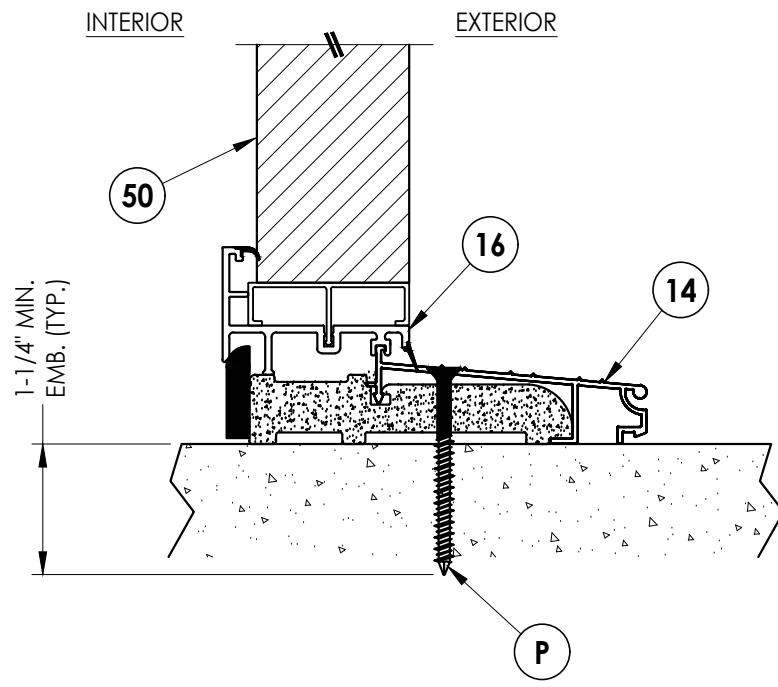
DRAWING NO.:
 FL-46116.2

SHEET 8 OF 12

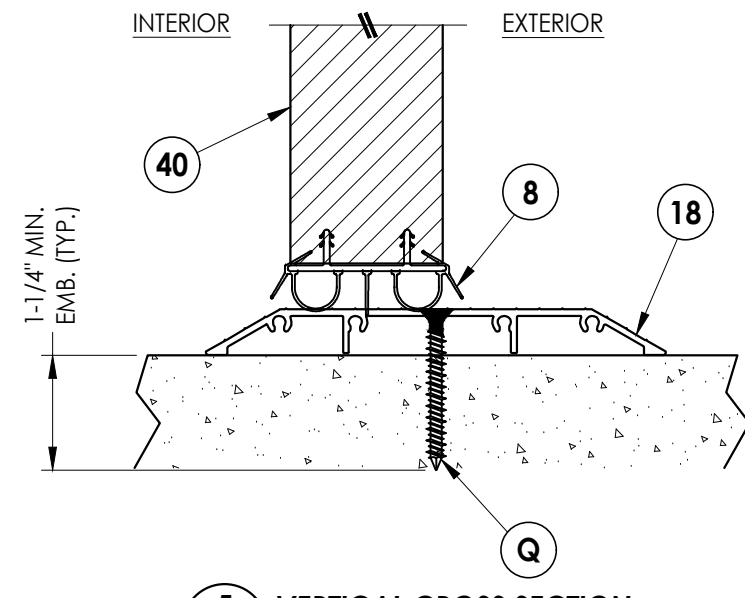
Z:\2023 FBC Drawings\ODL, Inc\FL-46116\FL-46116.2.dwg



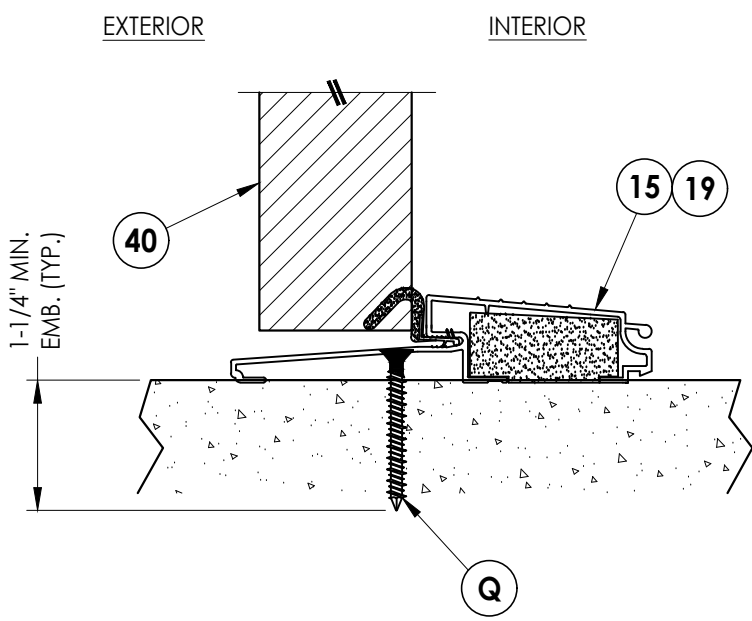
1 VERTICAL CROSS SECTION
9 Inswing Sill



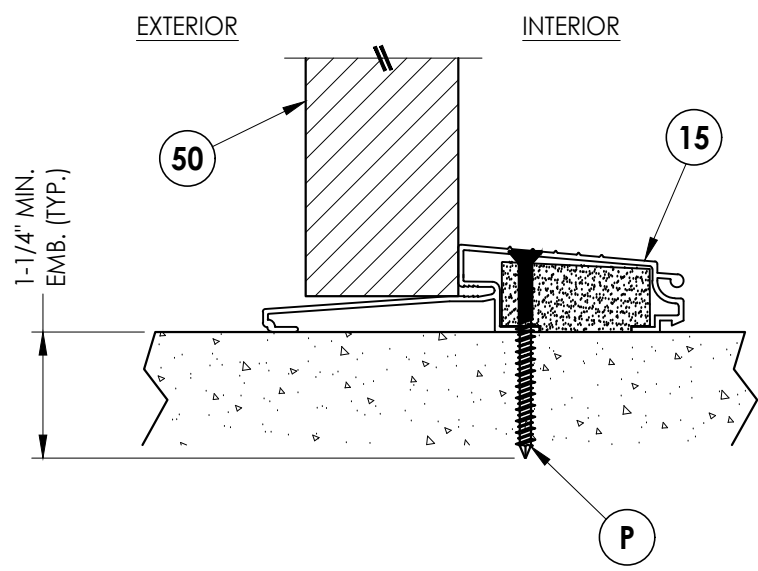
3 VERTICAL CROSS SECTION
9 Inswing Sill



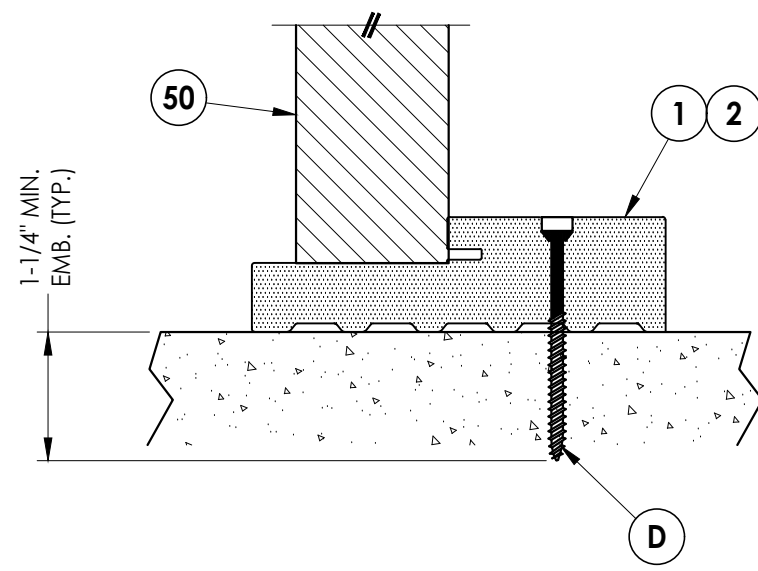
5 VERTICAL CROSS SECTION
9 ADA Sill



2 VERTICAL CROSS SECTION
9 Outswing Sill



4 VERTICAL CROSS SECTION
9 Outswing Sill



6 VERTICAL CROSS SECTION
9 Boxed Sidelite Sill

Documents Prepared By:
Lyndon F. Schmidt
P.E. No. 4-3409

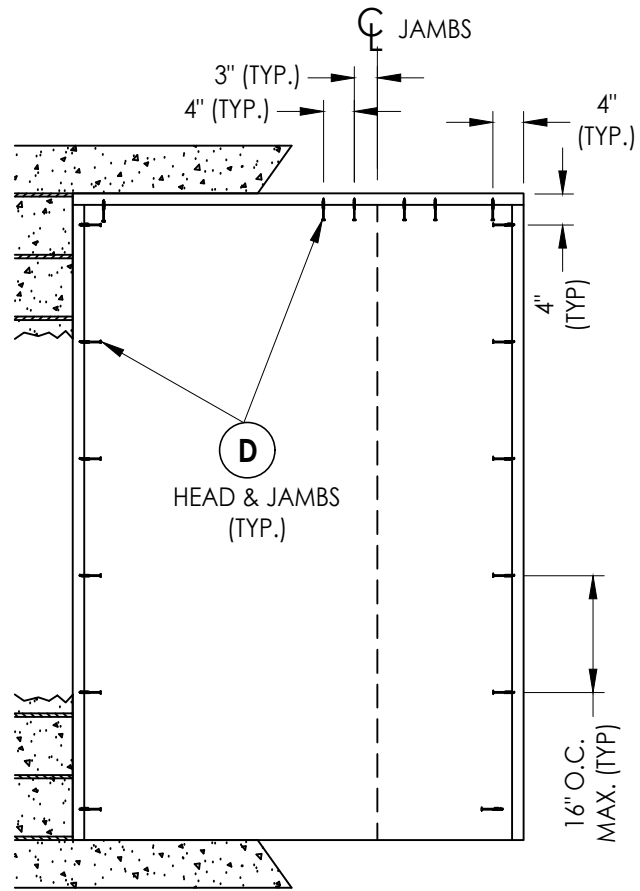
RW
BUILDING CONSULTANTS, INC.
P.O. Box 230, Valrico, FL 33595
Phone No.: 813.659.9197
FBPE Registry No. 9813

PRODUCT: ODL
FIBERGLASS DOOR

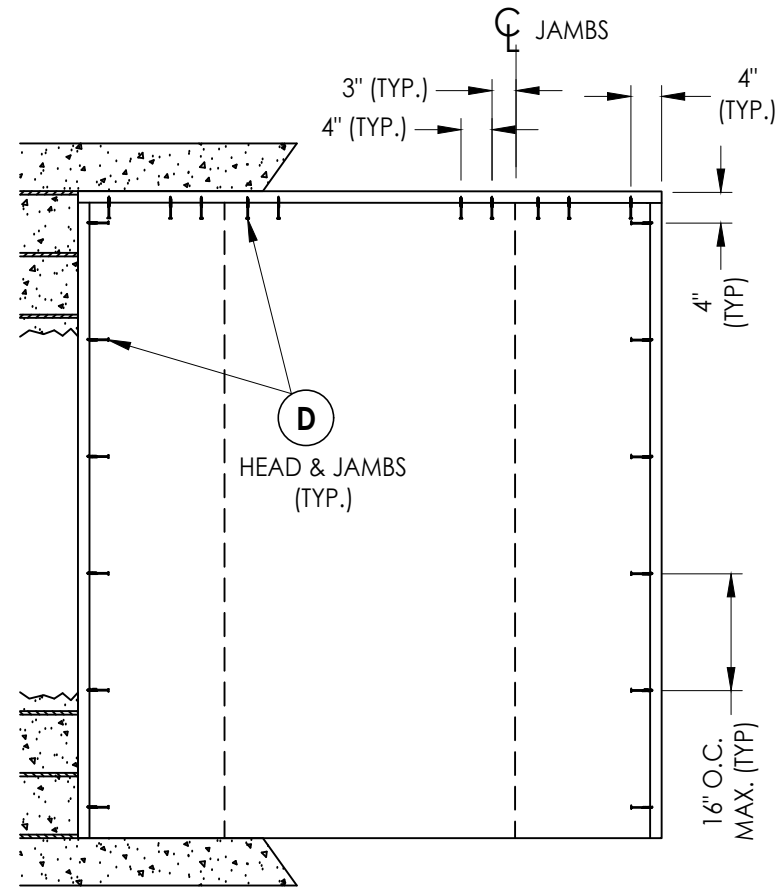
PART OR ASSEMBLY:
VERTICAL CROSS
SECTIONS (THRESHOLDS)

NO.	DATE	BY	REVISIONS

DATE: 2/15/24
SCALE: N.T.S.
DWG. BY: LFS
CHK. BY: RW
DRAWING NO.: FL-46116.2
SHEET 9 OF 12



XO/OX



OXO

2X BUCK ANCHORING

DATE: 2/15/24

SCALE: N.T.S.

DWG. BY: LFS

CHK. BY: RW

DRAWING NO.:

FL-46116.2

SHEET 10 OF 12

NO.	DATE	BY	REVISIONS

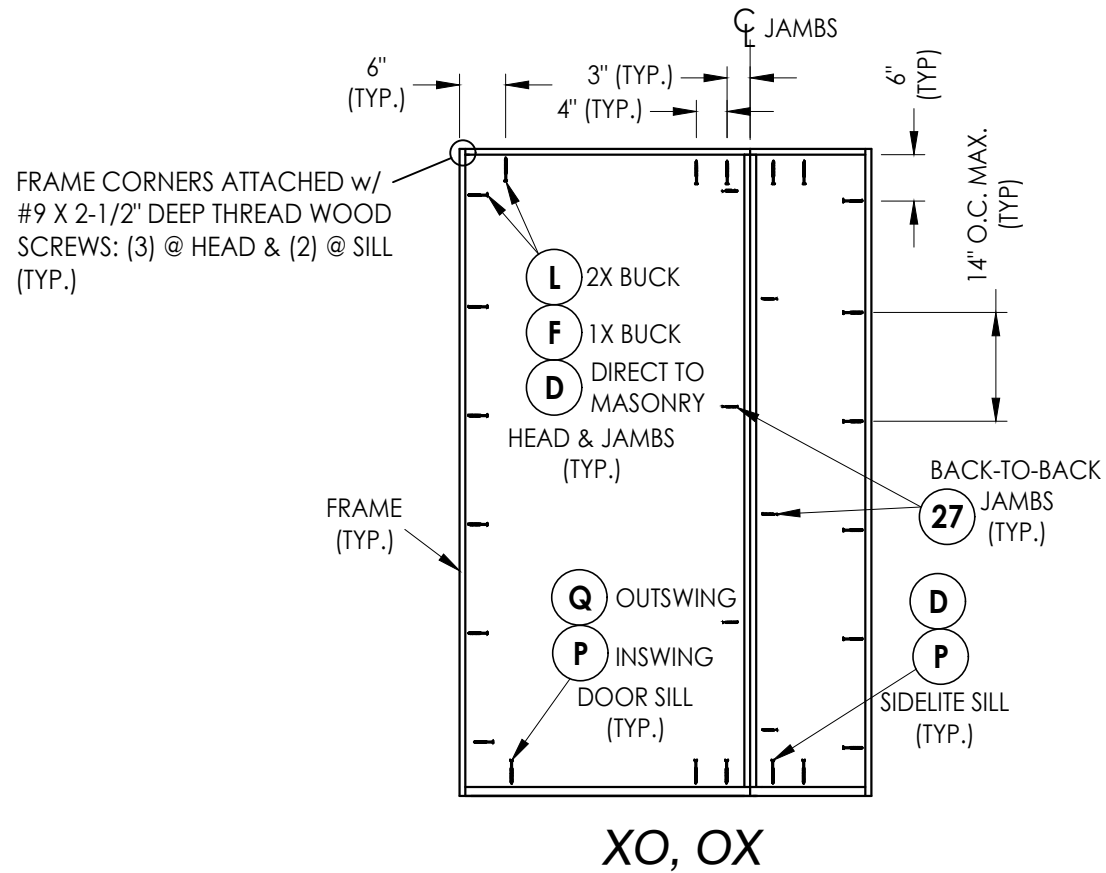
PRODUCT: ODJ
FIBERGLASS DOOR

PART OR ASSEMBLY:
BUCK ANCHORING

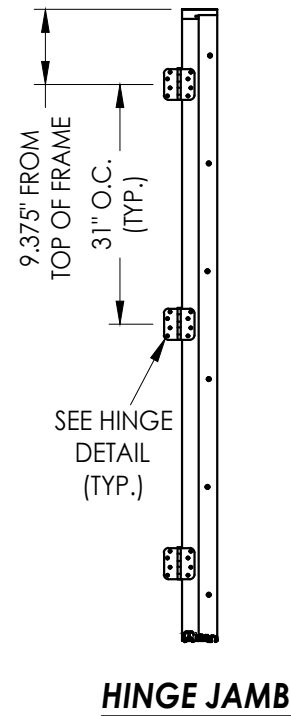
Documents Prepared By:
Lyndon F. Schmidt
P.E. No. 43409

RW

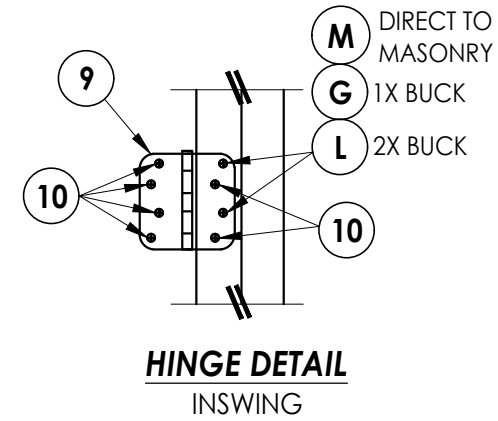
BUILDING CONSULTANTS, INC.
P.O. Box 230, Valrico, FL 33595
Phone No.: 813.659.9197
FBPE Registry No. 9813



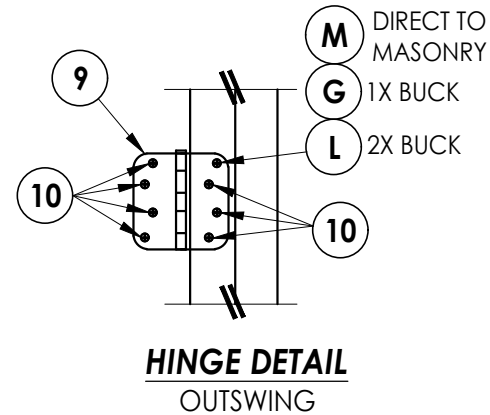
XO, OX



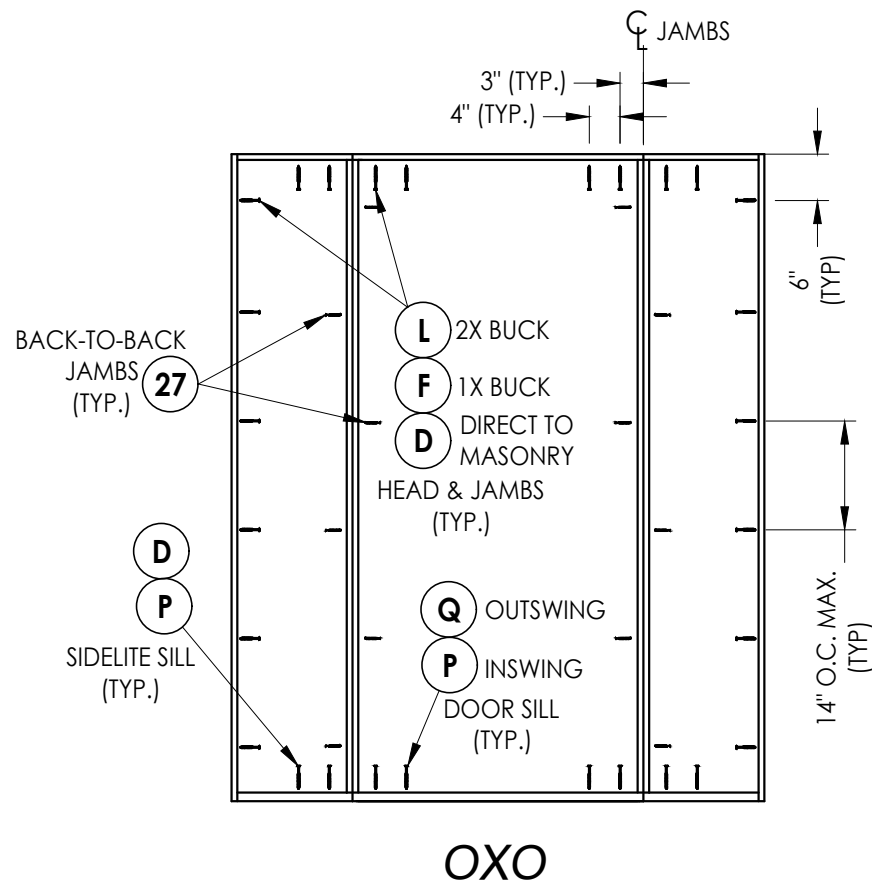
HINGE JAMB



**HINGE DETAIL
INSWING**

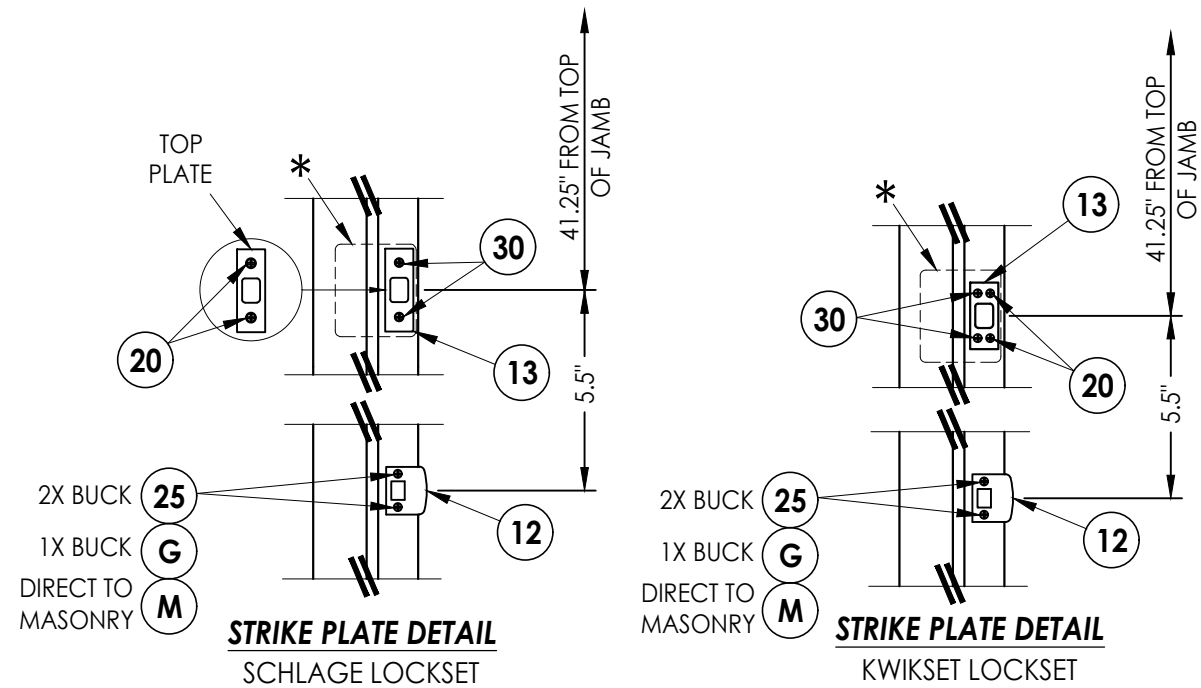


**HINGE DETAIL
OUTSWING**



OXO

FRAME ANCHORING



**STRIKE PLATE DETAIL
SCHLAGE LOCKSET**

**STRIKE PLATE DETAIL
KWIKSET LOCKSET**

*4" X 4" 20 GA. STEEL PLATE ATTACHED TO BACK OF JAMB w/ (2) 3/8" T50 STAPLES

HARDWARE DETAILS

Documents Prepared By:
Lyndon F. Schmidt
P.E. No. 43409

RW BUILDING CONSULTANTS, INC.
P.O. Box 230, Valrico, FL 33595
Phone No.: 813.659.9197
FBPE Registry No. 9813

PRODUCT: OD L
FIBERGLASS DOOR

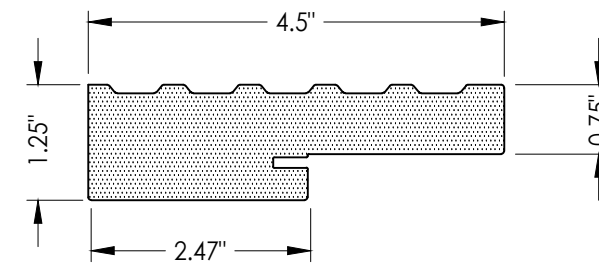
PART OR ASSEMBLY:
FRAME ANCHORING
& HARDWARE DETAILS

NO.	DATE	BY	REVISIONS

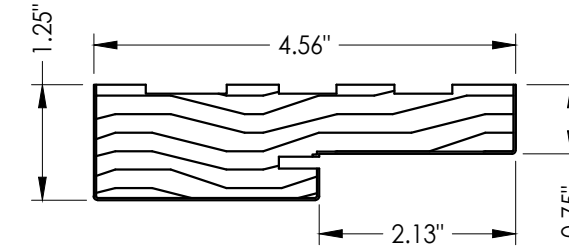
DATE: 2/15/24
SCALE: N.T.S.
DWG. BY: LFS
CHK. BY: RW
DRAWING NO.: FL-46116.2
SHEET 11 OF 12

BILL OF MATERIALS

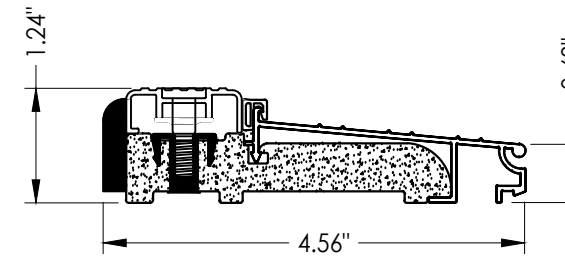
ITEM #	DESCRIPTION	MATERIAL
A	1X BUCK (G >= 0.42)	WOOD
B	2X BUCK (G >= 0.42)	WOOD
C	1/4" MAX. SHIM SPACE	-
D	1/4" X 2-3/4" PFH DeWALT OR ITW CONCRETE SCREW	STEEL
E	MASONRY - 3,000 PSI MIN. CONCRETE CONFORMING TO ACI 301 OR HOLLOW BLOCK CONFORMING TO ASTM C90	CONCRETE
F	1/4" X 3-3/4" PFH DeWALT OR ITW CONCRETE SCREW	STEEL
G	3/16" X 3-1/4" PFH ITW CONCRETE SCREW	STEEL
L	#10 X 2-1/2" PFH WOOD SCREW (1.15" MIN. EMB.)	STEEL
M	3/16" X 2-1/4" PFH ITW CONCRETE SCREW	STEEL
P	1/4" X 2-1/4" PFH DeWALT OR ITW CONCRETE SCREW	STEEL
Q	1/4" X 1-3/4" PFH DeWALT OR ITW CONCRETE SCREW	STEEL
1	COMPOSITE JAMB	COMP
2	WOOD JAMB	WOOD
7	WEATHERSTRIP	FOAM
8	DOOR SWEEP	VINYL
9	4" X 4" HINGE	STEEL
10	#9 X 3/4" PFH WOOD SCREW	STEEL
12	LATCH STRIKE PLATE	STEEL
13	DEADBOLT STRIKE PLATE	STEEL
14	INSWING THRESHOLD	ALUM/COMP
15	OUTSWING THRESHOLD	ALUM/COMP
16	INSWING SIDELITE BASE	PVC
18	ADA THRESHOLD	ALUM
19	ADA OUTSWING THRESHOLD	ALUM
20	#8 X 1/2" PFH WOOD SCREW	STEEL
25	#8 X 2-1/2" PFH WOOD SCREW	STEEL
27	#10 X 2" PFH SMS	STEEL
29	#10 X 3" PFH WOOD SCREW	STEEL
30	#12 X 2-1/2" PFH WOOD SCREW	STEEL
40	DOOR PANEL	-
50	SIDELITE PANEL	-



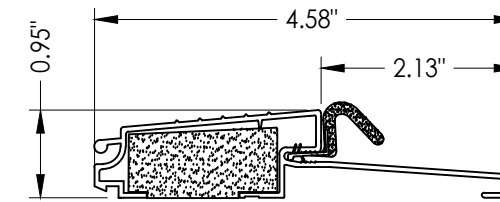
1 COMPOSITE JAMB
STARLINK SURE JAMB



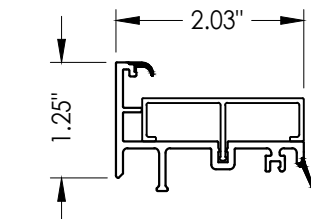
2 WOOD JAMB
FINGER JOINTED PINE



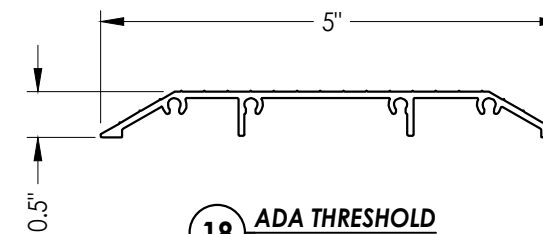
14 INSWING THRESHOLD
AFCO A-276



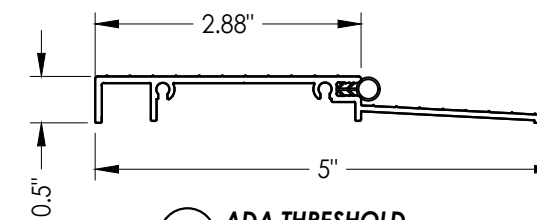
15 OUTSWING THRESHOLD
AFCO A-117



16 INSWING SIDELITE BASE
AFCO



18 ADA THRESHOLD
AFCO A-204



19 ADA THRESHOLD
AFCO A-204T

CONCRETE ANCHOR NOTES:

- Concrete anchor locations at the corners may be adjusted to maintain the min. edge distance to mortar joints.
- Concrete anchor locations noted as "MAX. ON CENTER" must be adjusted to maintain the min. edge distance to mortar joints, additional concrete anchors may be required to ensure the "MAX. ON CENTER" dimension are not exceeded.
- Concrete anchor table:

ANCHOR TYPE	ANCHOR SIZE	MIN. EMBEDMENT	MIN. CLEARANCE TO MASONRY EDGE	MIN. CLEARANCE TO ADJACENT ANCHOR
ITW BUILDEX TAPCON®	3/16"	1-1/4"	3"	1-1/2"
	1/4"	1-1/4"	2"	4"
DeWALT ULTRACON®	1/4"	1-1/4"	1"	4"

WOOD SCREW INSTALLATION NOTES:

- Maintain a minimum 5/8" edge distance, 1" end distance, & 1" o.c. spacing of wood screws to prevent the splitting of wood.

Documents Prepared By:
Lyndon F. Schmidt
P.E. No. 43409

RW BUILDING CONSULTANTS, INC.
P.O. Box 230, Vairico, FL 33595
Phone No.: 813.659.9197
FBPE Registry No. 9813

PRODUCT: ODL
FIBERGLASS DOOR

PART OR ASSEMBLY:
BILL OF MATERIALS
& COMPONENTS

NO.	DATE	BY	REVISIONS

DATE: 2/15/24
SCALE: N.T.S.
DWG. BY: LFS
CHK. BY: RW
DRAWING NO.: FL-46116.2
SHEET 12 OF 12